

HEBERLEIN® HEMAJET-LB04.

TASLAN-AIR TEXTURING.

—
JET HOUSING FOR A, S, T AND A-2, S-2 AND T-2 SERIES JET CORES.

The HemaJet-LB04 is a robust Jet Housing made from impact-resistant material for all Air Texturing processes. The Housing provides easy operation and protects the ceramic jet core.

Air Texturing

The objective of air texturing is an increased volume of the yarn, but also the blending of several yarns with different characteristics.



Features and Benefits

- ▶ Easier threading thanks to a pivoting, ergonomic baffle ball arm
- ▶ Easy to exchange the jet cores
- ▶ Versatile: can be fitted to all types of air texturing machines
- ▶ Jet housing has a high chemical resistance providing a long service life

Saurer Components AG

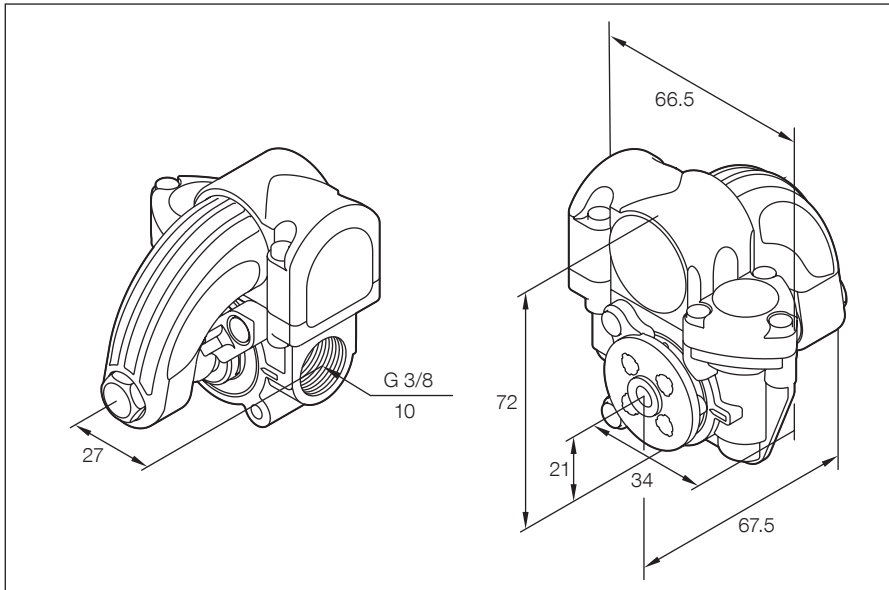
Bleikenstr. 11, 9630 Wattwil, Switzerland
T +41 71 987 44 44, F +41 71 987 44 45
info.heberlein@saurer.com · www.saurer.com

January 2016
Saurer Components, Switzerland
becomes

HEBERLEIN AG

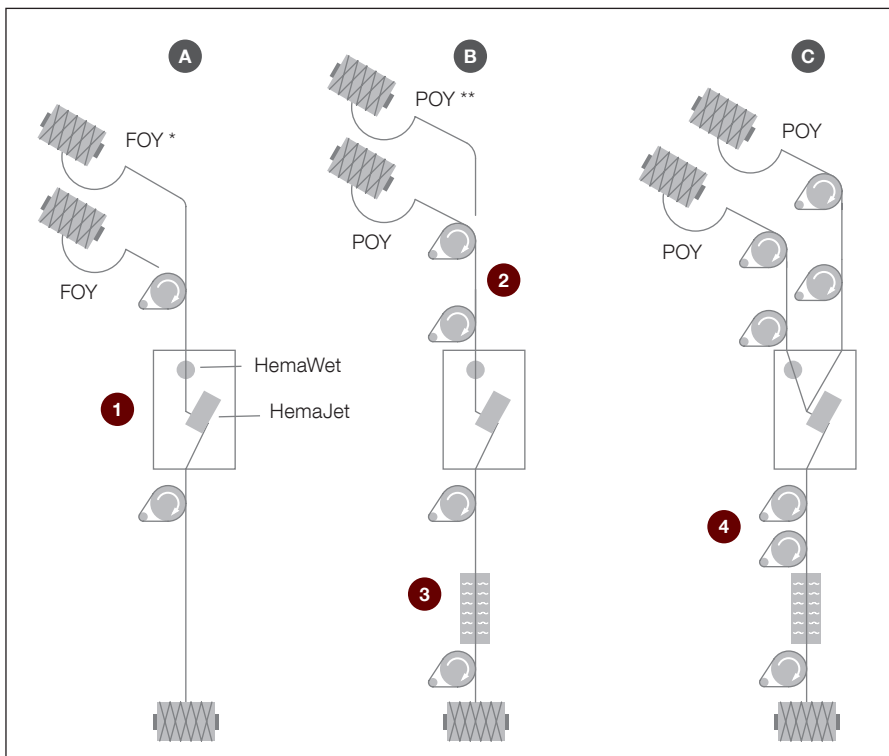
Heberlein® HemaJet-LB04

Dimensions and Weights



HemaJet-LB04
Dimensions in mm
Weight 155 g

Range of processes



A Single or parallel process FOY
B Single or parallel process POY
C Core effect process POY

- 1 Air-jet texturing
- 2 Drawing
- 3 Heat setting (influences loop size, stability and residual shrinkage)
- 4 Mechanical stabilising (tightening the loop structure by tension)

* FOY = fully oriented yarn

** POY = partially oriented yarn